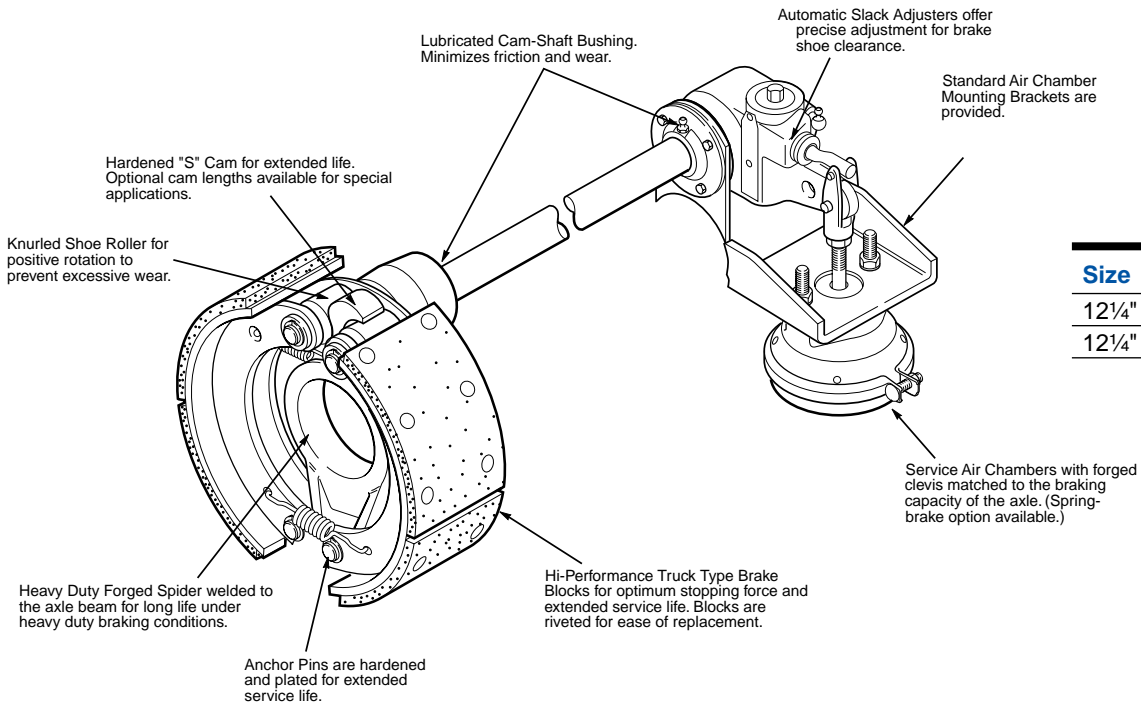


# Dexter "S" Cam Brake



Size	Capacity
12¼" x 4"	10K, 13D
12¼" x 5"	12K, 15K

# Small "S" Head Hi-Rise 28 Spline

Part No.		A	B	C
LH	RH			
034-188-00	034-189-00	21.125	2.219	For 1.50 dia. shaft +
034-188-01	034-189-01	16.375	2.219	For 1.50 dia. shaft +
034-188-13	034-189-03	22.312	2.219	For 1.50 dia. shaft +
034-188-04	034-189-04	20.312	2.219	For 1.50 dia. shaft
034-188-05	034-189-05	23.375	2.219	For 1.50 dia. shaft
034-188-06	034-189-06	30.000	2.219	For 1.50 dia. shaft
034-188-07	034-189-07	29.000	2.219	For 1.50 dia. shaft
034-188-08	034-189-08	19.500	2.219	For 1.50 dia. shaft
034-188-09	034-189-09	26.500	2.219	For 1.50 dia. shaft
034-188-10	034-189-10	7.437	4.980	For 1.50 dia. shaft
034-188-11	034-189-11	24.625	2.219	For 1.50 dia. shaft

+ No extra charge for these lengths.

